



VMX-agility™

VMX-AGY-020, VMX-AGY-021 POWER SUPPLY UNIT

MAN-AGY-017-V02

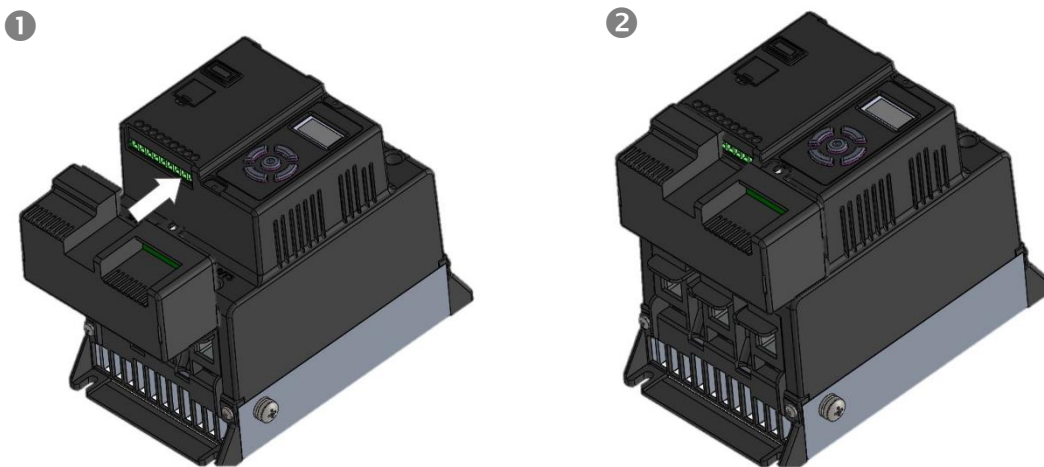
Power Supply (VMX-AGY-020/VMX-AGY-021)

VMX-AGY-020/VMX-AGY-021 is a dedicated mains power supply for the agility soft start. In addition to allowing for mains control voltage operation, the power supply also allows for mains voltage digital control (D1/D2).

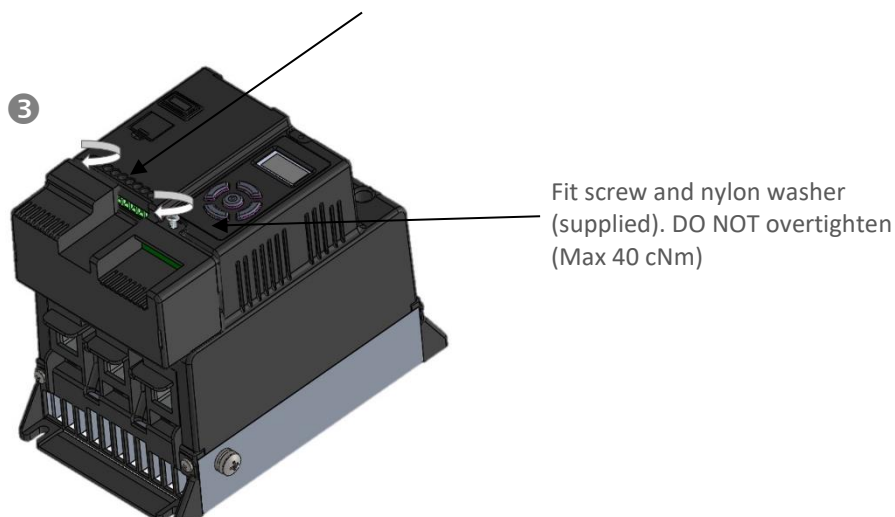
Refer also to VMX-agility Quick Start Guide MAN-AGY-014 for use with appropriate Agility model.

Fitting

Ensure terminals 24V, 0V, COM, D1 and D2 are fully open before installing power supply as shown below:

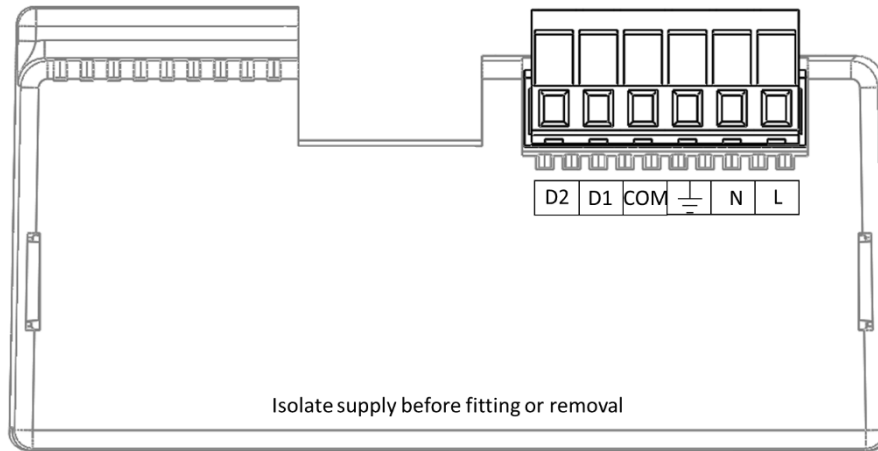


Tighten terminals 24V, 0V, COM, D1 and D2

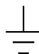


When the VMX-AGY-020/VMX-AGY-021 installation is complete, control supply, D1 and D2 are provided on the power supply rather than the agility main unit

Connections



Control Terminal Functions

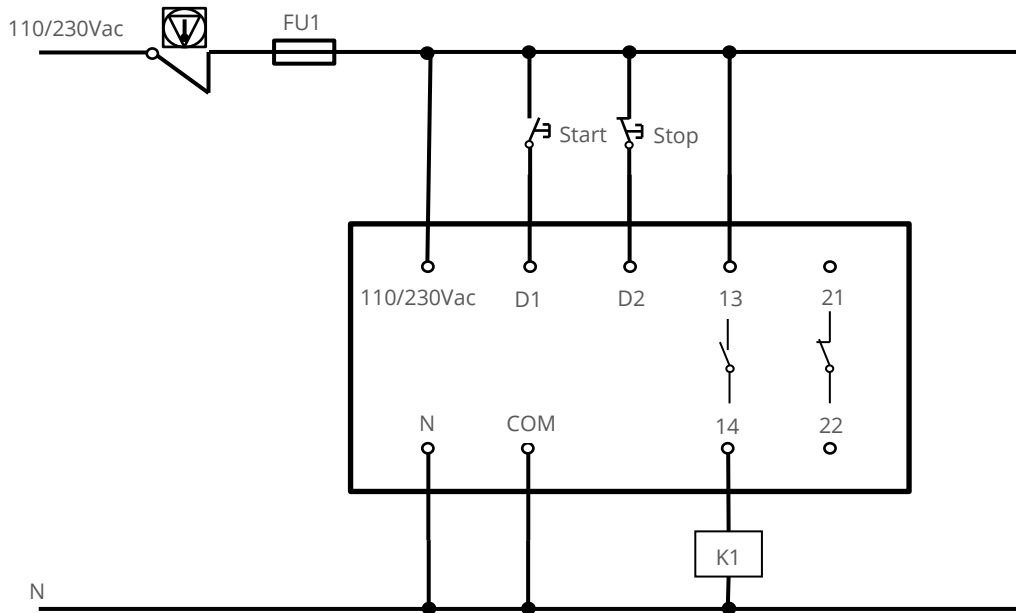
Terminal	Description	Default	Function Selectable	Note
L	Control Supply Live (+Us)	-	No	#1
N	Control Supply Neutral -(Us)	-	No	
	Mains supply Earth	-	No	
COM	Digital Inputs Common	-	No	
D1	Digital Input 1	-	Yes	#2
D2	Digital Input 2	-	Yes	#2
13/14	Main Contactor Control (Run Relay)	-	Yes	#3
21/22	Fault Relay	-	Yes	#3

#1 110Vac or 230Vac, 47 – 63Hz

#2 The voltage applied to the digital inputs D1 and D2 must be the same as the supply voltage

#3 250Vac, 2A, Cos ϕ =0.5

3-Wire Control Using VMX-AGY-020/VMX-AGY-021



2-Wire Control Using VMX-AGY-020/VMX-AGY-021

